



ASENSE DUCT

CO2 Duct Sensor with IP65 Rated Enclosure

The ASENSE Duct series monitors the carbon dioxide (CO₂) levels in industrial, commercial, school, and office type environments. The concentration of CO₂ is a strong indication of the overall indoor air quality. The ASENSE Series is based on a single beam non-dispersive infrared technology and is a cost-optimized solution for the climate control of buildings and other processes. In addition, ABC software eliminates the need for manual calibration. The ASENSE Series measures the CO₂ concentration in the ambient air up to 2,000 ppm and converts the data into an analog output. This data can be used in conjunction with a Building Automation or Demand Control Ventilation System to create a healthier indoor climate. This series features an analog temperature output (32 to 122°F) and come with combined output options of 0-10 VDC and 0 to 20 mA (4 to 20 mA and 2-10 VDC are

field selectable via an onboard jumper) or 0-5 VDC for "-5" versions. A relay option is available for this series as well. The UIP5 software and programming cable offer a configuration/test utility and provide access to the main features of the ASENSE series.

Applications: Commercial Office Buildings, Hospitals & Schools

The ASENSE Duct Series is covered by ACI's Five (5) Year Limited Warranty. The warranty can be found in the front of ACI's Sensors & Transmitters catalog, as well as on ACI's website, www.workaci.com.

PRODUCT SPECIFICATIONS

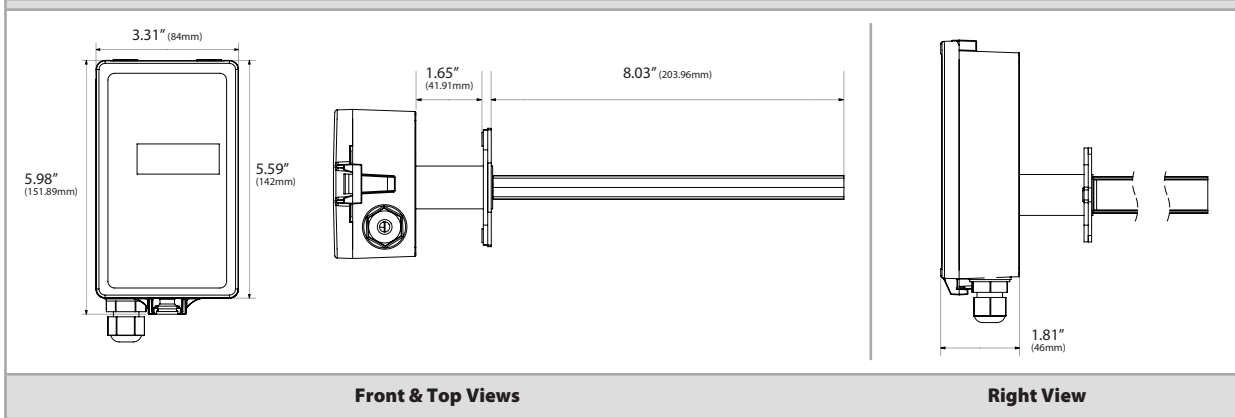
Supply Voltage:	24 VAC/VDC ±20%; 50/60 Hz, 10.5 to 40 VDC maximum (Half-wave rectified)
Power Consumption:	<1W
Wiring Connections:	0.00232 in ² (1.5 mm ²) screw terminals
Operating Environment:	Residential, commercial, and industrial spaces
Operating Temperature:	32°F to 122°F (0°C to 50°C)
Operating RH:	0 to 85% RH Non-condensing
Warm-Up Time:	<5 minutes (@ full specs 15 minutes)
Accuracy:	CO₂: ±30 ppm and ±3% of reading Temperature: ±1.8°F (1°C)
Repeatability:	±20 ppm ±1% of measured value
Annual Zero Drift:	<± 0.3% of measurement range
Operating Pressure:	+1.6% per 0.145 psi (1 kPa) deviation from normal pressure (1 Atmosphere = 14.7 psi (1.013 KPa))
Sensing Method:	Single beam Non-dispersive Infrared (NDIR)
Sensor Life¹:	>15 years
Response Time (T1/e):	<10 seconds @ 30 cc / minimum flow rate, <3 minutes diffusion time
Sensing Range:	CO₂: 0 to 2000 ppm Temperature: -4 to 140°F (-20 to 60°C)
Extended CO₂ Ranges:	2000 to 10,000 ppm (factory set or programming cable required)
Extended Range Accuracy >2,000 PPM:	+/- 30 ppm and +/- 5% of reading
Coverage Area:	7500 sq. ft. maximum
Self-Diagnostics:	Complete function check, yellow LED; LCD error indication (display model only)
Display (Optional):	4 digits, 7 segments LCD with ppm indicator
Calibration²:	Senseair ABC algorithm (Automatic Baseline Correction)
Outputs:	Out 1 (CO₂): 0/2 to 10V, 0/4 to 20 mA, 0 to 2000 ppm Out 2 (Temperature): 0/2 to 10V, 0/4 to 20 mA, 32 to 122°F (0 to 50°C) Out 3: N.O. or N.C. rated 0.5A @ 125 VAC; 1A @ 24 VDC
Relay (Optional):	1000 ppm (factory set)
Relay Trip Point⁴:	100 ppm (factory set)
Relay Deadband/Hysteresis:	100 ppm (factory set)
Relay Durability:	Mechanical: 5,000,000 operations minimum (at 36,000 operations/hr) Electrical: 100,000 operations minimum (under rated load, at 1,800 operations/hr)
Storage:	ASENSE-D: -40 to 158°F (-40 to 70°C) ASENSE-D-LCD: -4 to 122°F (-20 to 50°C)
Enclosure:	0 to 85% RH Non-condensing Duct Box: PC & ABS blend, Flammability Rating UL94V-0 Cover: Makrolon® 6555 plastic, Flammability Rating UL94V-0 Pipe: PC & ABS blend, Flammability Rating UL94V-0
Product Dimensions:	(H) 5.95" (151.9 mm) x (W) 3.33" (84.6 mm) x (D) 1.85" (47 mm)
Product Weight:	0.812 lbs (0.368 kg)
Agency Approvals:	EMC Directive 2014/30/EC, RoHS Directive 2011/65/EU & RoHS 3 Directive 2015/863/EU

Note 1: Accuracy is defined after minimum three (3) ABC periods (1 period = 8 days) of continuous operations | **Note 2:** In normal Indoor Air Quality (IAQ) applications | Corrosive environments are excluded | **Note 3:** Building CO₂ levels must drop to 400 ppm some time during the week for ABC to work properly | If the building is occupied 24 hrs/day, ABC must be turned off | **Note 4:** Changes can be made using TTL-232R-3V3 cable and UIP5 software





DIMENSIONAL DRAWING



STANDARD ORDERING

Model # Example: **A**SENSE-D-S -OR- 133507

Model #	Item #	Description
A SENSE-D-LCD	135205	CO2, Duct Mount with Display, 0-10 VDC or 0-20 mA Output, 4-20 mA or 2-10 VDC Field Selectable
A SENSE-D-LCD-REL	130532	CO2, Duct Mount with Display, Relay, 0-10 VDC or 0-20 mA Output, 4-20 mA or 2-10 VDC Field Selectable
A SENSE-D-REL	131190	CO2, Duct Mount, Relay, 0-10 VDC or 0-20 mA Output, 4-20 mA or 2-10 VDC Field Selectable

ACCESSORIES ORDERING

Model # Example: **A**/CUSTOM CAL GAS -OR- 140970

Model #	Item #	Description
A /CUSTOM CAL GAS*	140970	Custom Calibration
TTL-232R-3V3	134207	Programming Cable
UIP5	----	Free Software Download (Contact ACI)

Note*: Contact ACI's Technical Support for custom calibration ranges